

# Model 1506 Bottle Clamp

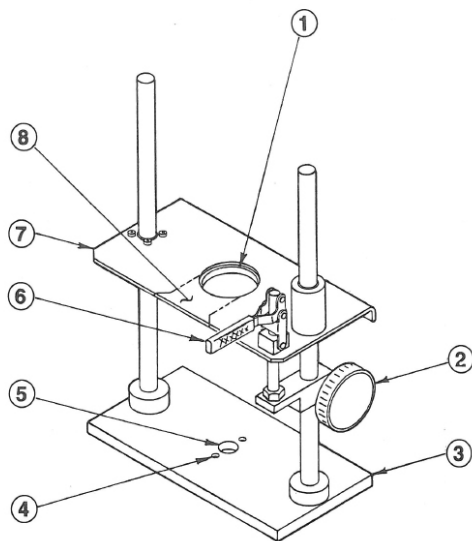
## 1506 Bottle Clamp

The Model 1506 Bottle Clamp is a quick acting bottle holding device that can be easily adjusted to accommodate a 10 oz to a 3 liter bottle.

This fixture can be used for many different bottles outside of the beverage industry.

The clamp mechanism is vertically adjustable and actuated by an over center type clamp. A urethane clamping ring is provided for securing the bottle without causing any cosmetic damage to the exterior of the bottle.

Made entirely from corrosion resistant materials, this device can be fully submerged in hot soapy water for cleaning.



1. Rubber Clamp Ring
2. Height Adjusting Lock Knob
3. Clamp Base
4. 2 x 1/4 - 20 x .88 Stainless Steel (SOC HD CAP) Mounting Screws
5. Locating Pilot
6. Bottle Clamp #604
7. Ring Support Plate
8. Specify: 1506 or 1506A (A version used with products whose closures are 38mm+)

### Specifications:

- Maximum bottle diameter: 6.5 inches
- Maximum bottle height: 13.5 inches
- Minimum bottle height: 4.0 inches